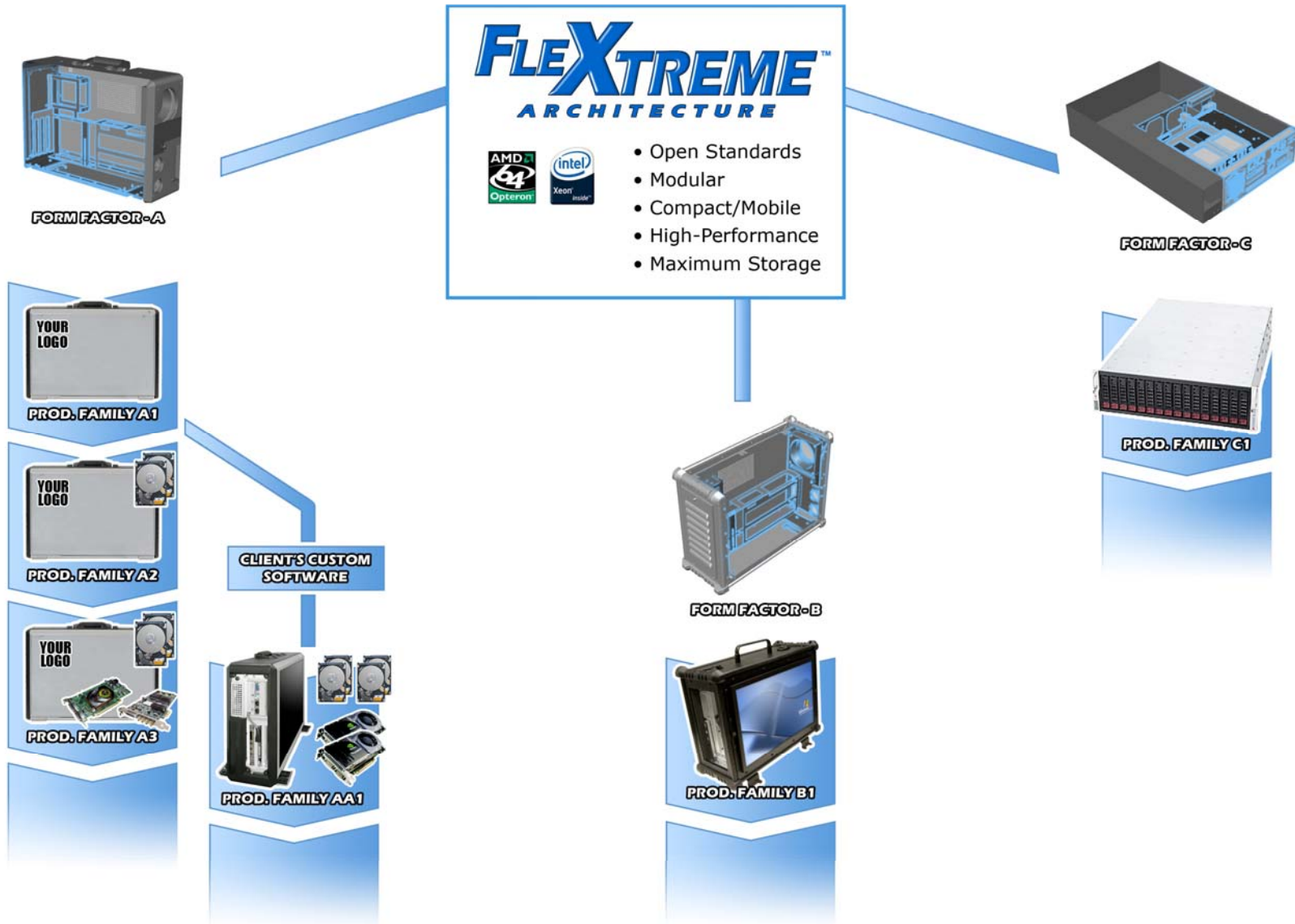


## Infinite Possibilities for Expanding Your Business



## The Lasting Value of Outsourcing to NextComputing

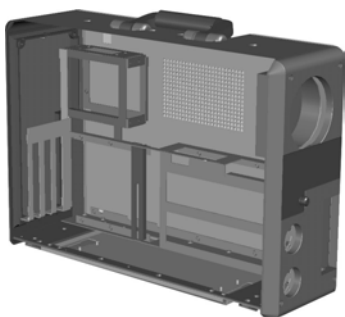
### NextComputing offers a new product introduction cycle for any volume

Let NextComputing save you time and money by extending your product line and developing new product types based on your requirements.

**Benefits:** Shorter time to market. Minimal overheads to release incremental product and service revenue solutions. Leverage your existing investment in applications and products. Create differentiation. Eliminate the commoditization syndrome.

Start with one of several FleXtreme platforms (NextDimension, Vigor, NextServer) with:

- A common architecture and support for standard enterprise operating systems across all platforms
- Modular system approach to easily create and produce platform families



### Optional services that NextComputing will provide in an expedited time cycle:

- Integrate, test, and optimize customer or 3rd party I-O cards and applications to meet your OEM or project specifications
- Create a private label to establish brand identity with minimal setup cost
- Create marketing collateral and branded documentation as needed
- Create a unique part number with optional revision management services and longevity of supply
- Manage derivative product versions for customer specific requirements
- Provide additional OEM specific services to meet your business model needs
- Provide system training for your technicians, engineers and service personnel at our facility

### NextComputing works with you to develop your platform roadmap

**Benefits:** Outsource tasks to NextComputing so you can focus on your core competencies. Actively leverage new technology. Offer longevity for existing platforms. Reduce your R&D costs.

NextComputing will collaborate on new product ideas and help enable:

- New technology (processor, storage, graphics, I-O) and other performance enhancement strategies
- Incremental revenue and solution upgrades to your installed base via our FleXtreme modular architecture
- Enhanced product platform solutions leading to a sustained sequence of new solutions to keep your company on the forefront

**NextComputing offers total cost of ownership savings!**